

# Quick Start Guide

**ASC300**

**Amber Swift C300**

Wireless GPS Tracker

**1**  
Install  
Your device

**2**  
Download  
Amber Connect  
App

**3**  
Activate  
the device



# 1. Overview

## 1.1. Accessories

- Device
- Bracket
- User guide
- Charger
- Charge cable

## 1.2. Main Functions

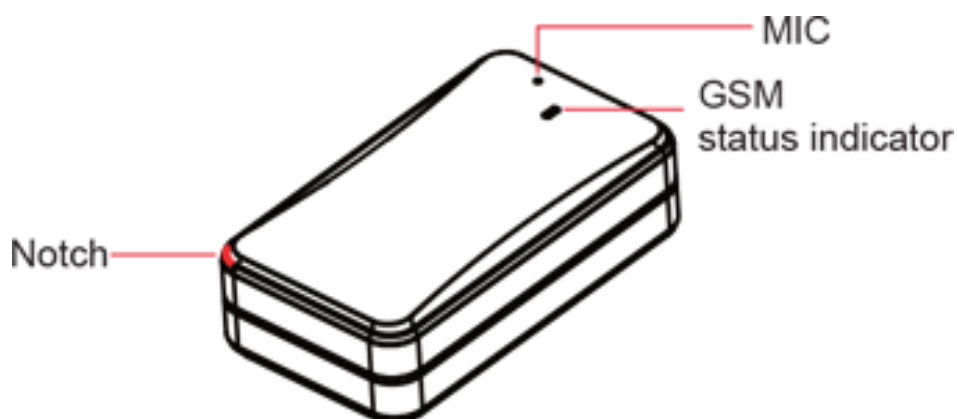
- Intelligent power saving
- IPX5 water resistant grande
- Tamper alert
- Strong magnet installation
- Fast charging
- 10000mAh battery
- Listen-in capability

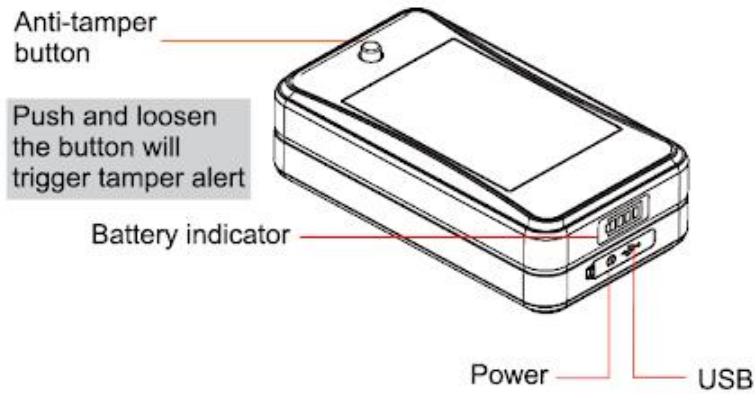
## 1.3. Specification

Frequency: 900MHz	GSM 850/900/1800/1900MHz
Location accuracy	<10 meters
Monitoring range	S5 meters
Working voltage/current	3.7V/60mA
Battery	10000mAh/3.7V industrial grade lithium polymer battery
LED	Red: work status
Operating Temperature	-20°C to 70°C
Dimension	108*61*30 mm
Weight	285g

# 2. My Device

## 2.1. Appearance





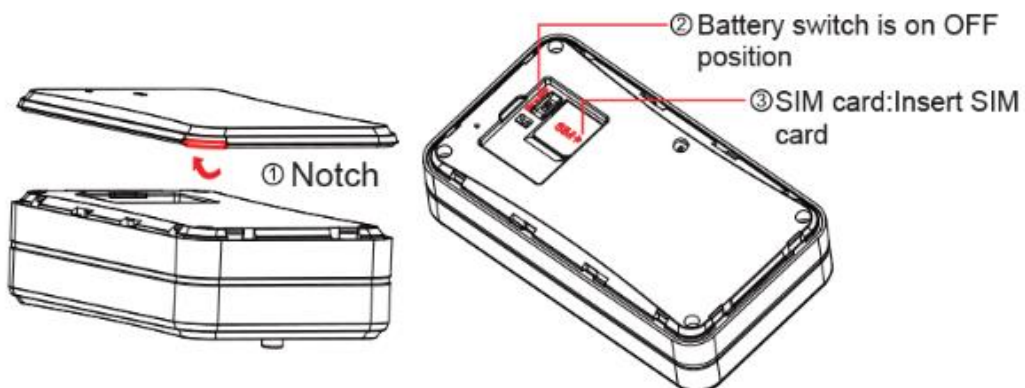
## 2.2. GSM Indicator

Status	Meaning
Blinking quickly	GSM initialization/No GSM
Blinking slowly	Connect to the Amber Connect platform
Always ON	Voice calling feature enabled

The GSM Indicator will turn off after the device has been powered on for 3 minutes. Once the device is on, tap the power button to activate the LED, which will turn off automatically after 60 seconds.

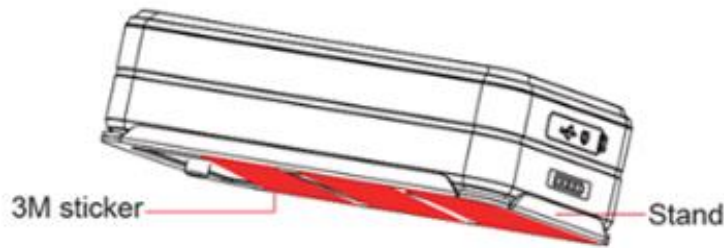
## 3. SIM Card

The SIM card should have access to GPRS and SMS. Remove the device cover, switch to OFF and insert the SIM card.



## 4. Installation

The device is built with a strong magnet which can be easily attached to any surface with a magnetic pull. To attach the device to a non-magnetic surface, use the 3M foam tape and bracket included in your package.



Problems	Causes	Solutions
Poor signal	The signal waves are unable to transmit when using the GPS tracker in places with poor signal reception, such as tall buildings or basements.	Relocate to an area with adequate signal reception.
Unable to boot	Power switch is OFF	Switch to ON
	No battery	Charge battery
	No SIM card	Insert SIM card
Unable to connect to the network	SIM card inserted incorrectly	Check SIM card
	SIM card has dust, debris	Clean SIM card
	Invalid SIM card	Contact network supplier
	Not in GSM service area	Move to GSM service area
Fail to locate	Poor signal	Move to an area with adequate signal reception
	SIM has no access to GPRS	Contact network supplier to get GPRS service
	Always reply "Address inquiry failed"	Contact supplier

## 5. Operation

### 5.1 Power ON/OFF

Power on: Press power button for 3 seconds (battery switch is in ON position).

Power off: Press power button for 3 seconds.

### 5.2 Emergency Number

Set emergency number via App.

### 5.3 Working Mode

(1) Tracking mode (default): GSM is always ON and location data uploaded in set time intervals.

(2) Ultra-long standby mode: device wakes up and uploads location data based on preset frequency set up to a maximum of 72 hours of location update.

**Notice:** In this mode, commands will NOT be executed until the device wakes up at preset time intervals. You can force the device to wake up and receive communication by:

- a. triggering the tamper alert button at the back
- b. unplugging the battery and plugging it in again.

## 5.4 Tamper Alert

The anti-tamper button will pop out and an alert will be sent if the device has been disassembled. In standby mode, an alert message will be uploaded and tracking mode will be activated for 20 minutes if device disassembly is detected. After 20 minutes, the device enters into ultra-long standby mode.

## 5.5 Cover Remove Alert

The cover detection button pops out and an alert will be sent if the device cover is dismantled. In standby mode, an alert message will be uploaded and tracking mode will be activated for 20 minutes if cover dismantling is detected. After 20 minutes, the device enters into ultra-long standby mode.

## 5.6 Low Battery Alert

When the battery is low, the device will activate a low battery alarm.

## 5.7 Vibration Alarm

The vibration alarm only works in tracking mode. To activate this function, please go to the Amber Connect.

App: safety > safety settings > vibration alert.

## 5.8 Geo-fence Alarm

The geo-fence alarm only works in tracking mode. When the vehicle enters/exits the pre-set geo-fence area, the Amber Connect App will send a real-time notification.

## 5.9 Voice Monitoring

Use pre-set SOS number to make and receive calls from the device. The device will automatically call back. Answer the call and monitor sounds inside the vehicle.

## 6. App And Web Platforms

### 6.1. Download App

Please download and install the Amber Connect App from your digital App store and follow the onscreen instructions to register your device.

### 6.2. Web App

Visit [www.amberconnect.com/portal/customer/login](http://www.amberconnect.com/portal/customer/login) and go to login > customer > sign up and follow the onscreen instructions to register your device.

## 7. Warning

Battery specified by the manufacturer is recommended. Maintenance or service arising from any third party accessories is not guaranteed. The manufacturer assumes no responsibility for any damage caused by non-original accessories. Do not bend or open the battery. Do not immerse or burn the battery. Device disassembly is strongly forbidden.

Non-professionals' operation may lead to device damage.

## 8. Troubleshooting

If you are having trouble with your device, try the troubleshooting procedures before contacting a service professional.



Need help? Contact 24/7 live support!



In App Chat



[support@amberconnect.com](mailto:support@amberconnect.com)



Chat via website [www.amberconnect.com](http://www.amberconnect.com)

Works with Android phones and tablets, iPhone, iPad.  
Compatible with Chrome, Mac and PC web browsers.



Scan this QR code to download your App



Amber Connect

©2024 Amber Connect Limited. All rights reserved